



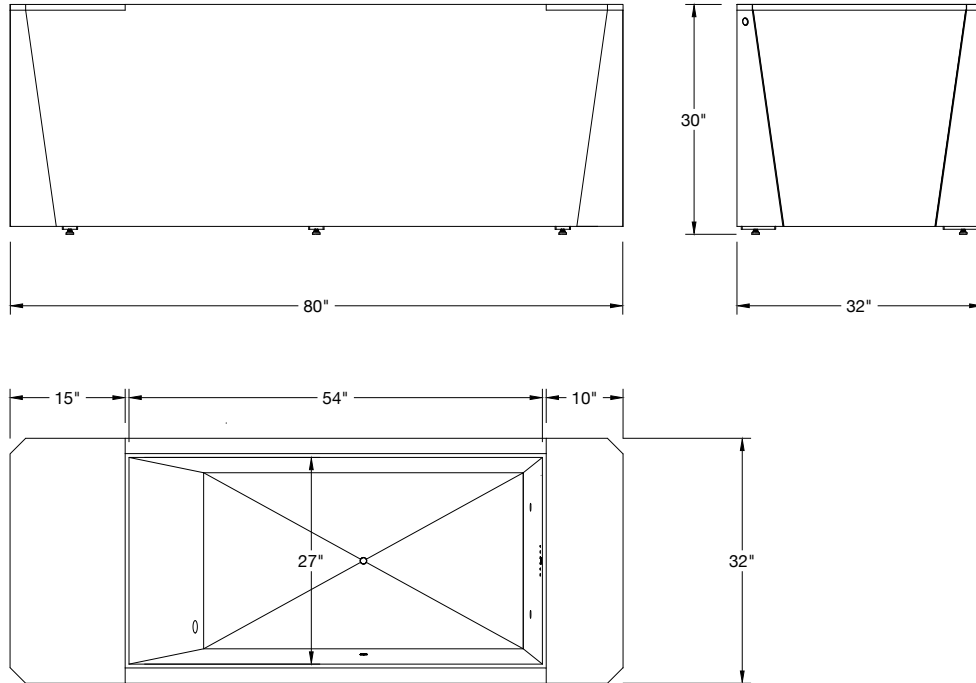
EUREKA

C O L D W A T E R S P A S



eureka cold water immersion tub

The Eureka Cold Water Immersion Tub was designed for the high demands of commercial environments like gyms, health clubs, spas and wellness centers. With durability and ease-of-function at its core, the Eureka Tub combines industrial-grade components with thoughtful design to deliver consistent performance and a sophisticated aesthetic. The tub uses a chilled circulation loop to maintain water temperatures down to 2.8°C (37°F) and the continuous flow ensures the consistency of the temperature that you feel.



PHYSICAL SPECS

Outer dimensions	80"L x 32"W x 30"h 2032L x 813W x 762H mm
Skin Material	11 ga powder-coated aluminum
Tub dimensions	Opening: 54" x 27" 1372 x 686 mm Depth: 26" 660 mm Bottom: 42" x 23" 1067 x 584 mm
Tub Material	11 ga 316 stainless steel
Seat Material	FrogBoard composite
Water Capacity	115 gallons 435 litres
Dry Weight	350 lbs / 160 kg
Filled Weight	up to 1325 lbs / 600 kg

MECHANICAL

Electrical	120 V, 15 A GFCI Protector Circuit
Chiller	120 VAC 0.5 or 1 hp 5.4 or 10.2A 4020 or 10050 BTU/h Min. temperature 37°F / 2.8°C
Temperature Control	ITC-308 with WiFi capability
Pump	1/8 horsepower 40 gallons per minute 1.3 Amps
Filter	Washable, 30 mil, pleated cartridge filter 25 square foot filter area
Ozonator	35 milligrams/hour up to 800 gallon capacity 120 VAC
Heater	1.5 kW 120 VAC
LED Light	316 SS housing 1800 Lumens 27 W Standard blue